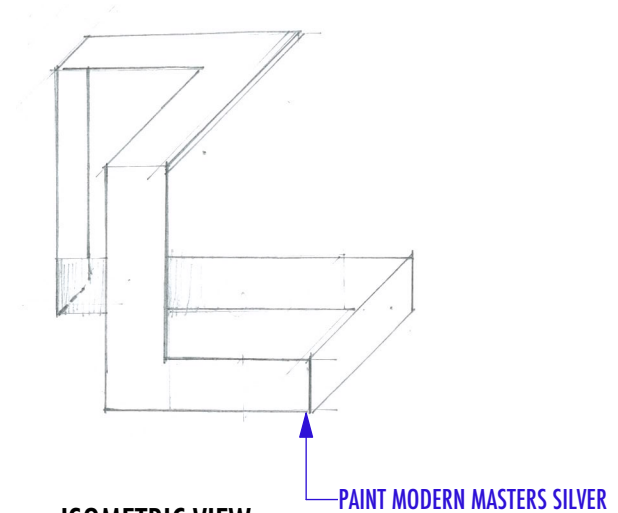


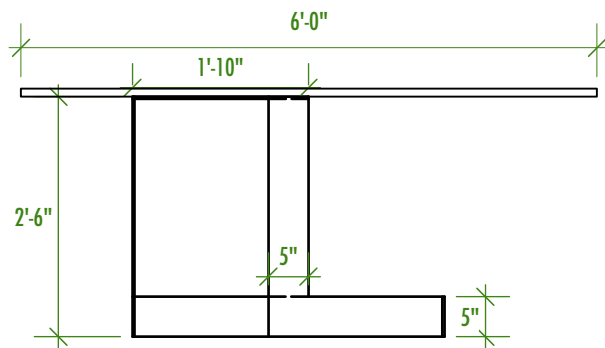
PLAN VIEW

Scale: 1/2" = 1'-0"



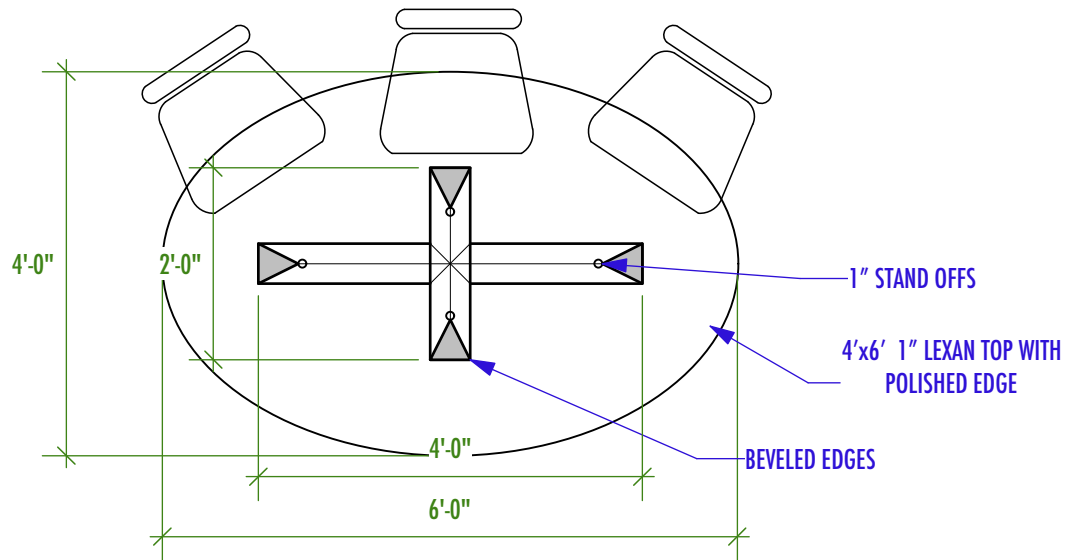
ISOMETRIC VIEW

NOT-TO-SCALE



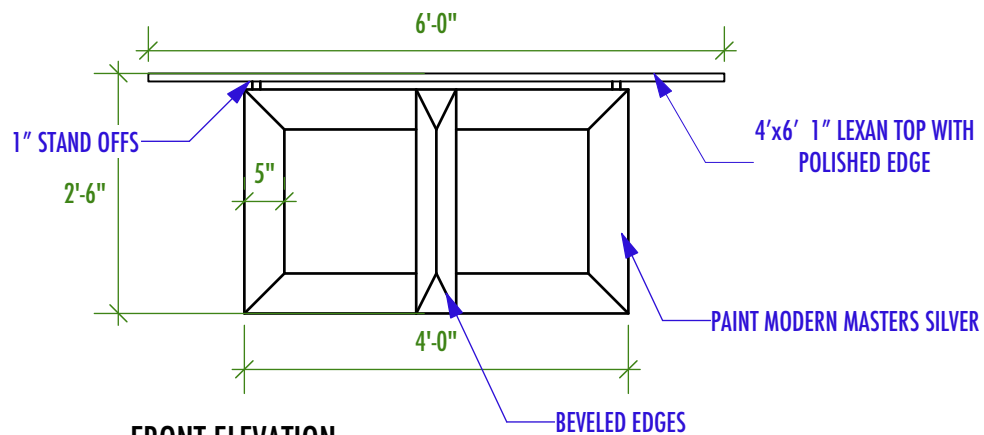
FRONT ELEVATION

Scale: 1/2" = 1'-0"



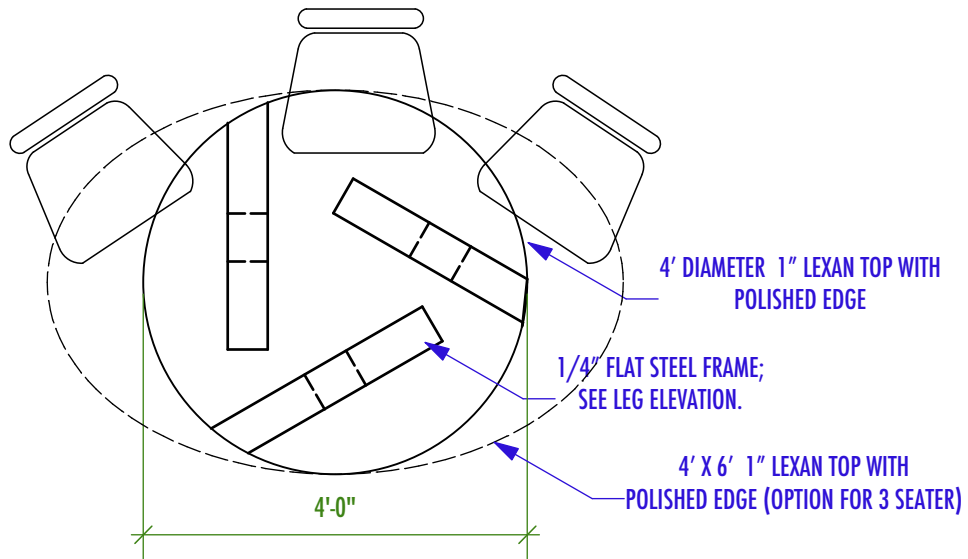
PLAN VIEW

Scale: 1/2" = 1'-0"



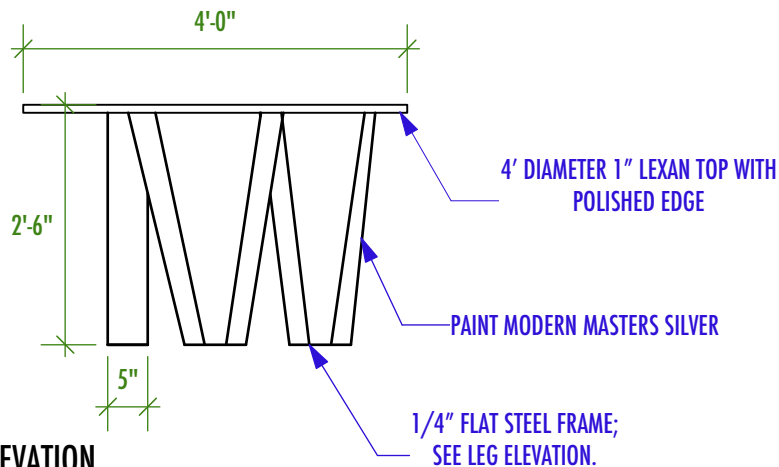
FRONT ELEVATION

Scale: 1/2" = 1'-0"



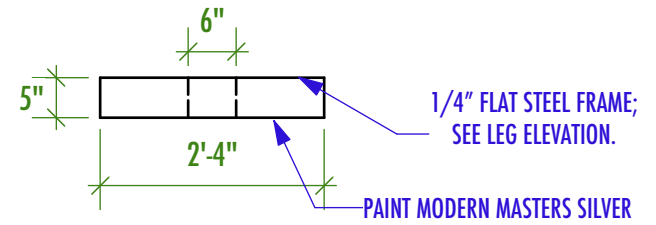
PLAN VIEW

Scale: 1/2" = 1'-0"



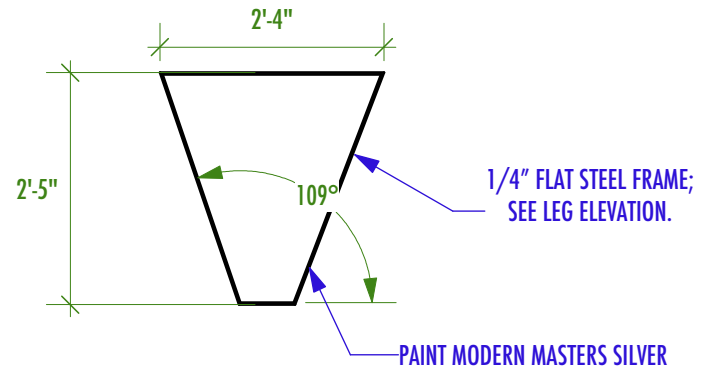
FRONT ELEVATION

Scale: 1/2" = 1'-0"



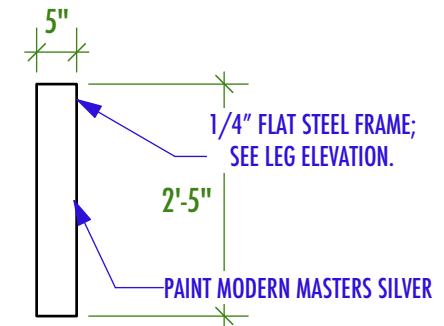
PLAN VIEW

Scale: 1/2" = 1'-0"



LEG DETAIL-FRONT ELEVATION

Scale: 1/2" = 1'-0"



LEG DETAIL-FRONT ELEVATION

Scale: 1/2" = 1'-0"