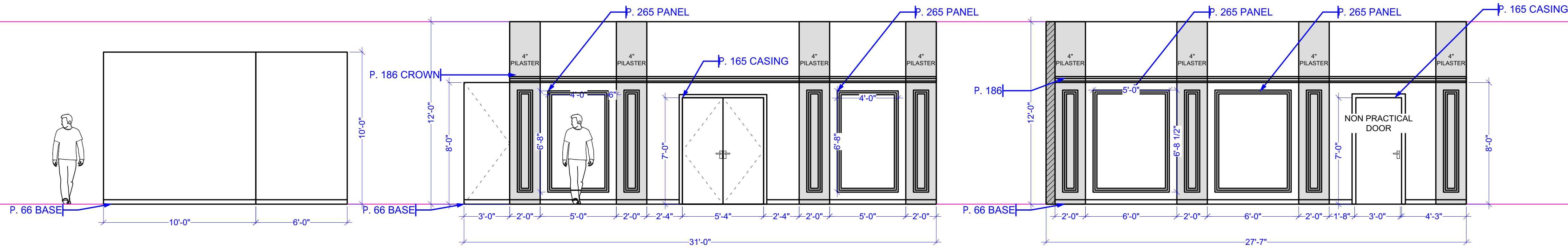


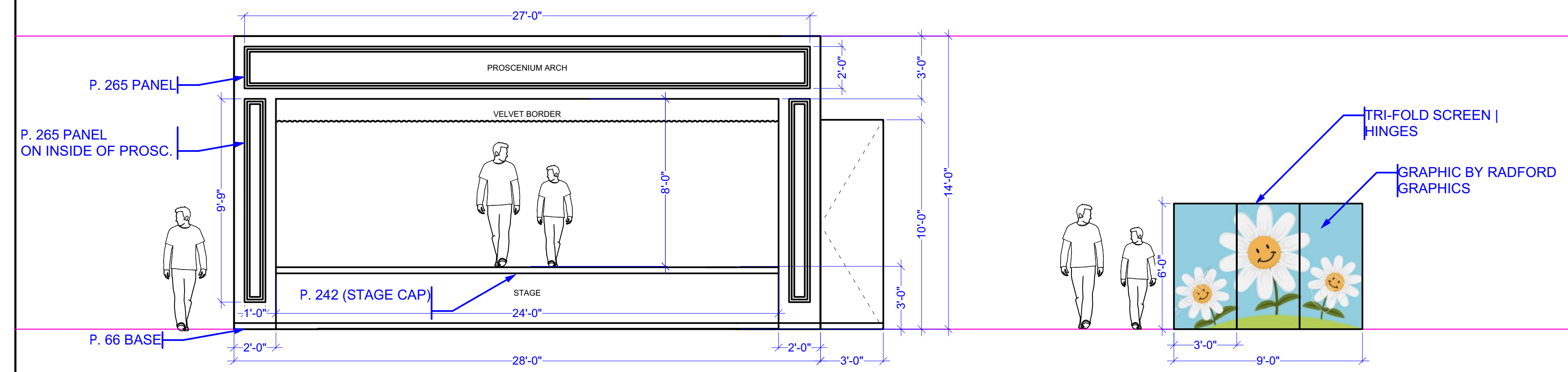
NOTE: ALL PANEL MOULDINGS ARE PLANT ONS



A "INT. SCHOOL AUDITORIUM"-FRONT ELEVATION
Scale: 1/4" = 1'-0"

B "INT. SCHOOL AUDITORIUM"-FRONT ELEVATION
Scale: 1/4" = 1'-0"

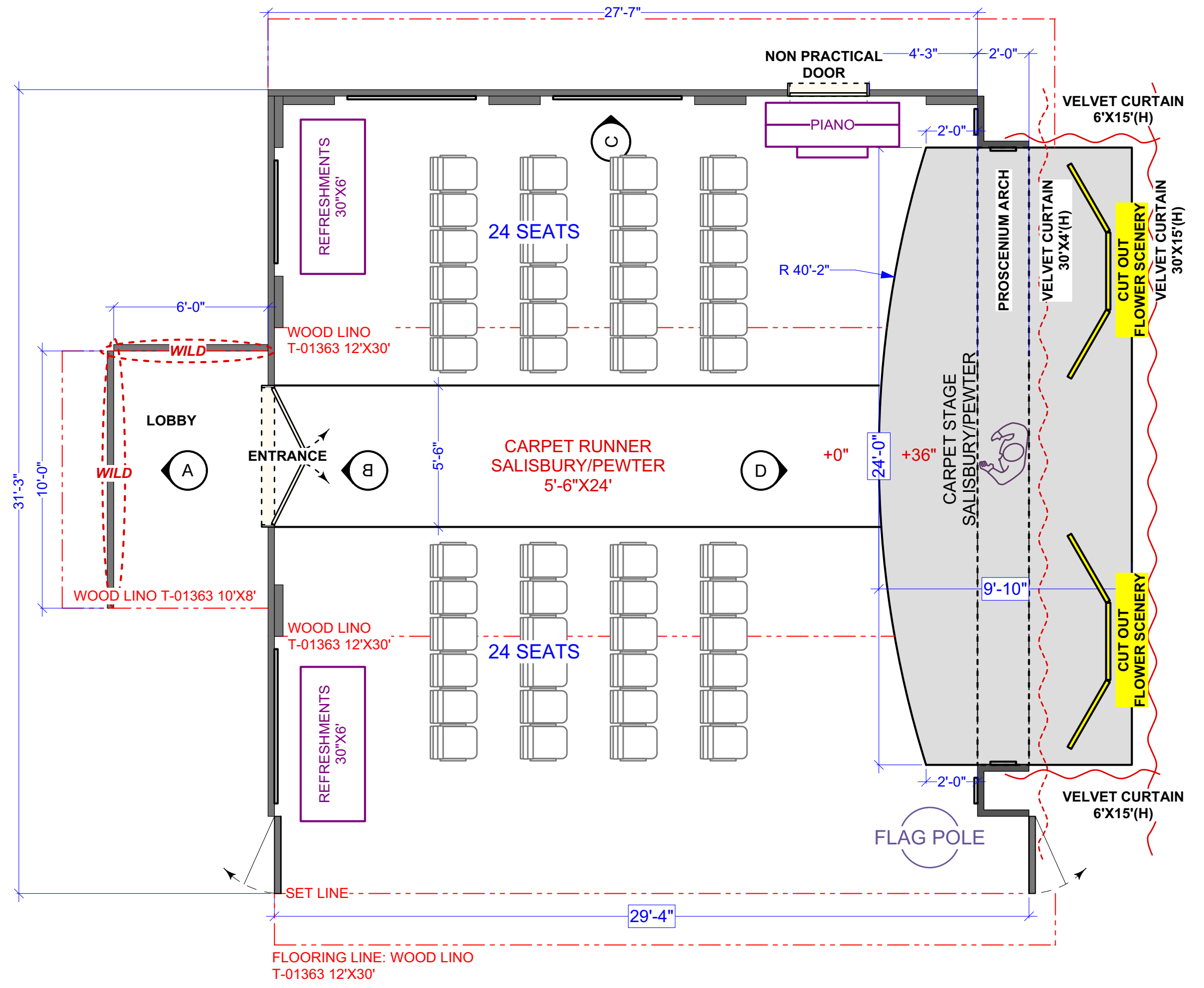
C "INT. SCHOOL AUDITORIUM"-FRONT ELEVATION
Scale: 1/4" = 1'-0"



D "INT. SCHOOL AUDITORIUM"-FRONT ELEVATION
Scale: 1/4" = 1'-0"

E "DAISY SCENERY"-FRONT ELEVATION
Scale: 1/4" = 1'-0"

BUILD X (2)



INT. SCHOOL AUDITORIUM-MAYA'S RECITAL

REVISED

10-21-2020

THE UP SHAW'S		DRAWING DISTRIBUTION	
EPISODE TITLE: "NIGHT OUT"		CONST. COORD.: MARC ROSELLINI	
SET NAME: INT. SCHOOL AUDITORIUM		CONST. FOREMAN: JOSE MARTINEZ	
READ DATE: 10-26-2020		SET DEC.: JENNIFER FULMER	
SHOOT DATE: 10-29 & 10-30		PAINT: CARY CONWAY	
PROD. DESIGNER: WENDELL JOHNSON		EPISODE # 108	
SET DESIGNER: AMY SKJONSBY-WINSLOW		STAGES	
ASSISTANT ART DIRECTOR: JOEY SARNO		SHEET #	
PHONE #: 310-944-9557		8 1 of 1	
PHONE #: 323-202-6212			
PHONE #: 252-286-7003			