

TO KITCHEN

TO KITCHEN

TO FOYER

TO FOYER

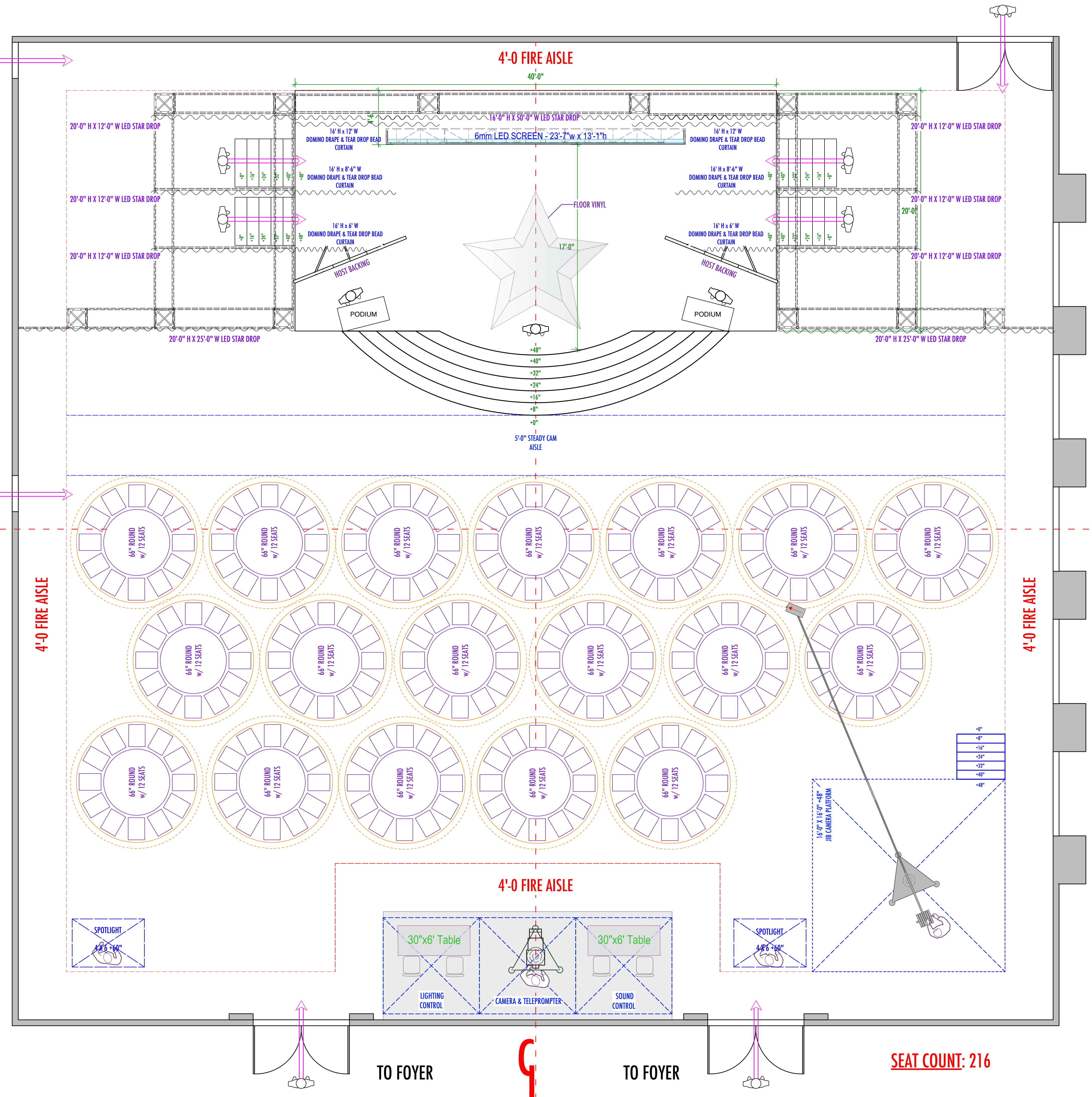
SEAT COUNT: 216

4'-0" FIRE AISLE

4'-0" FIRE AISLE

4'-0" FIRE AISLE

4'-0" FIRE AISLE

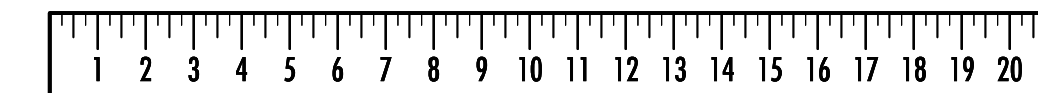


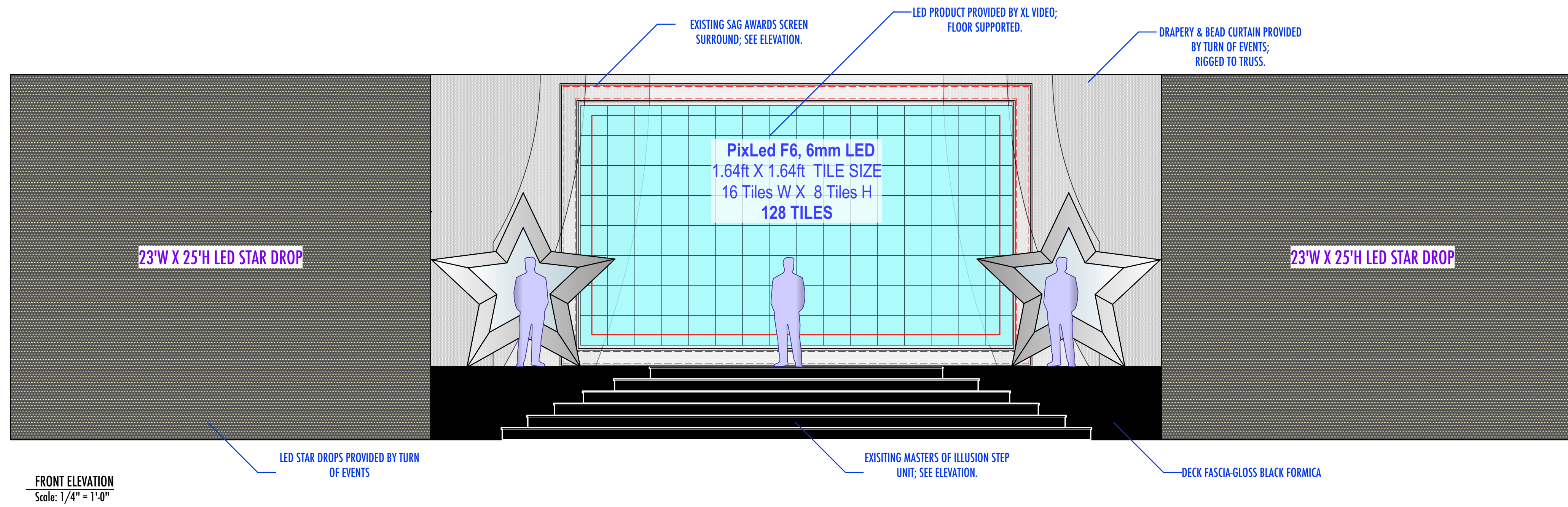
JOHN | JOE
 SHAFFNER | STEWART
 PRODUCTION DESIGN

A

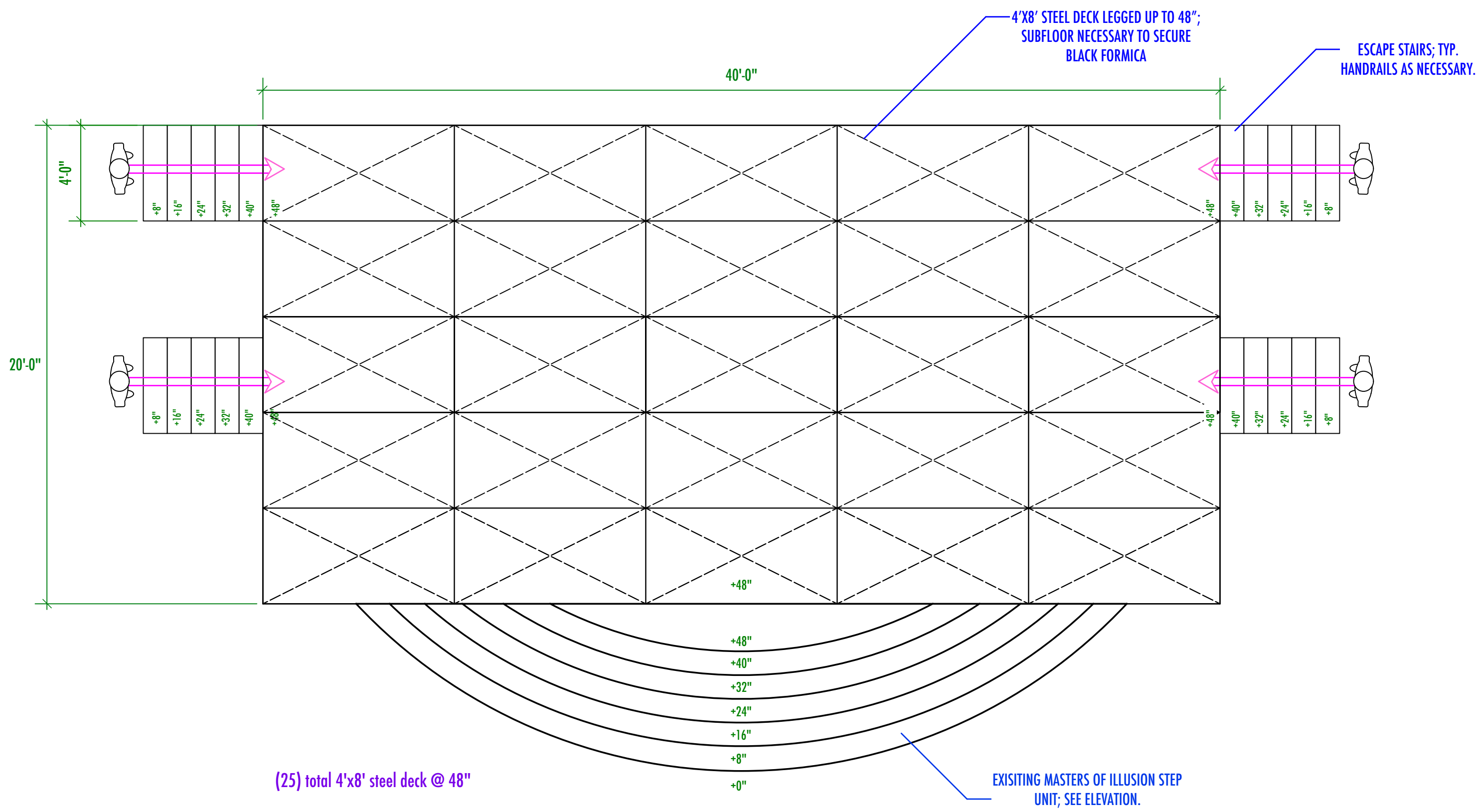
HOLLYWOOD WALK OF FAME

GROUNDPLAN	DRAWN BY: JOEY SARNO
PRELIMINARY	DRAWN: 09/02/16
TAGLIAN BALLROOM	SCALE: 1/4"=1'-0"
AL SCHWARTZ	OCTOBER 25, 2016
9080 WONDERLAND PARK AVENUE LA, CA 90046 323-650-6939 FAX 323-650-4807	

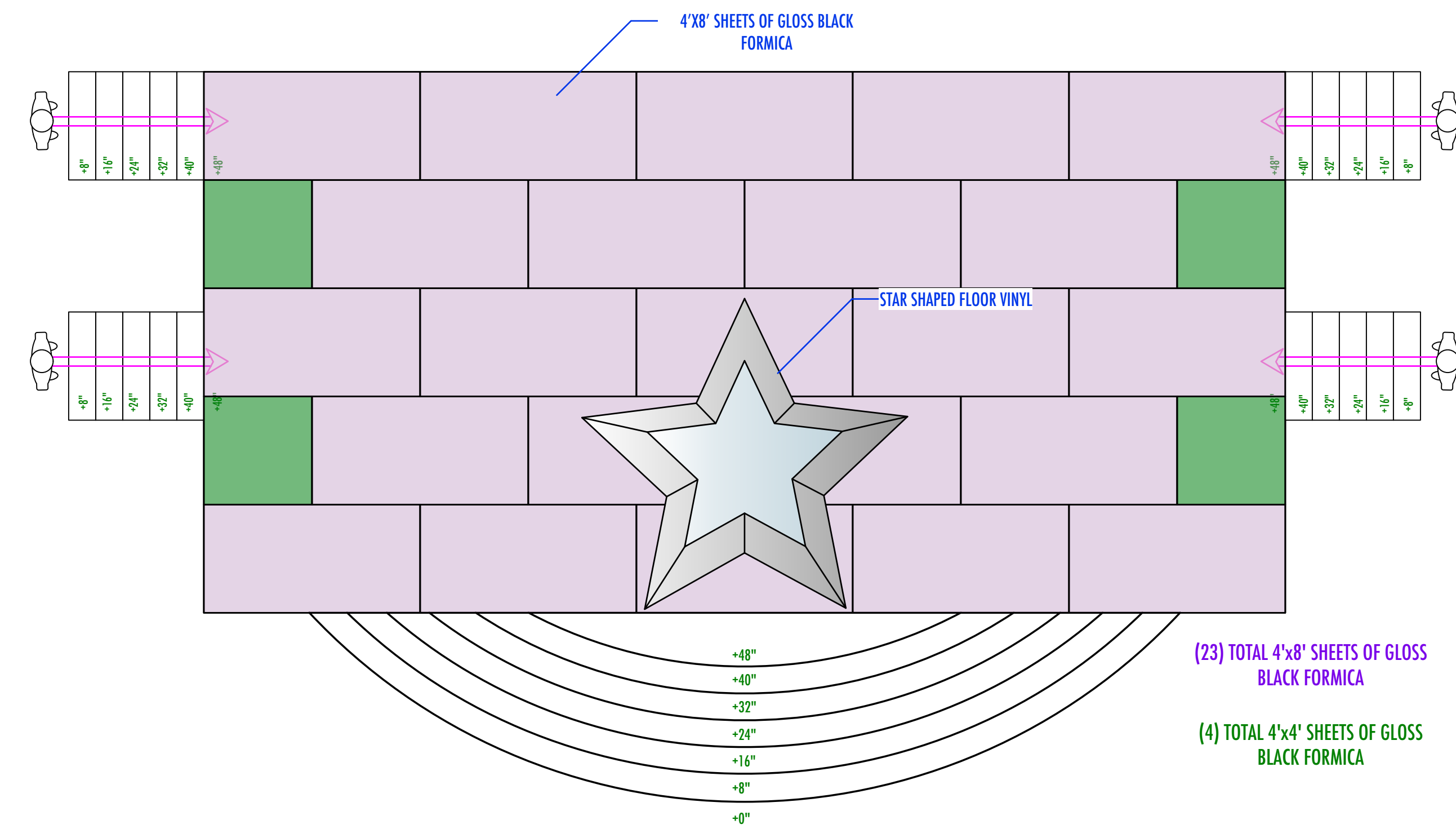




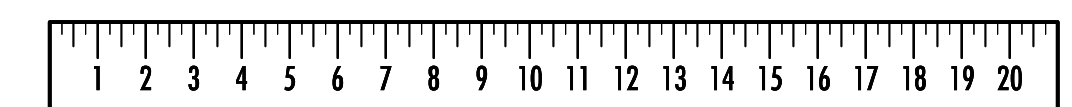
FRONT ELEVATION
Scale: 1/4" = 1'-0"

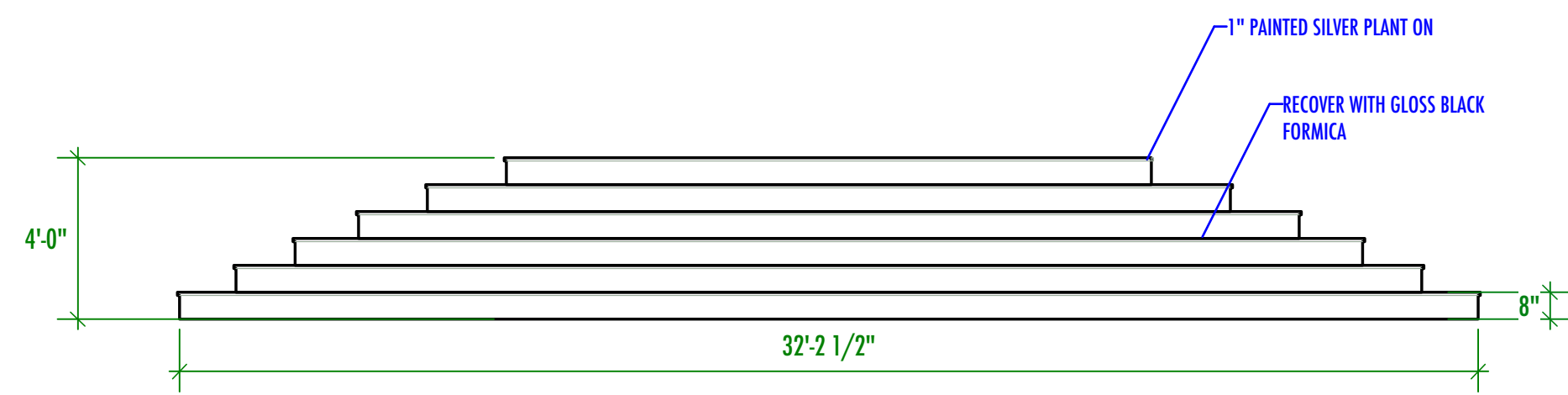


DECK LAYOUT-PLAN VIEW
Scale: 1/4" = 1'-0"

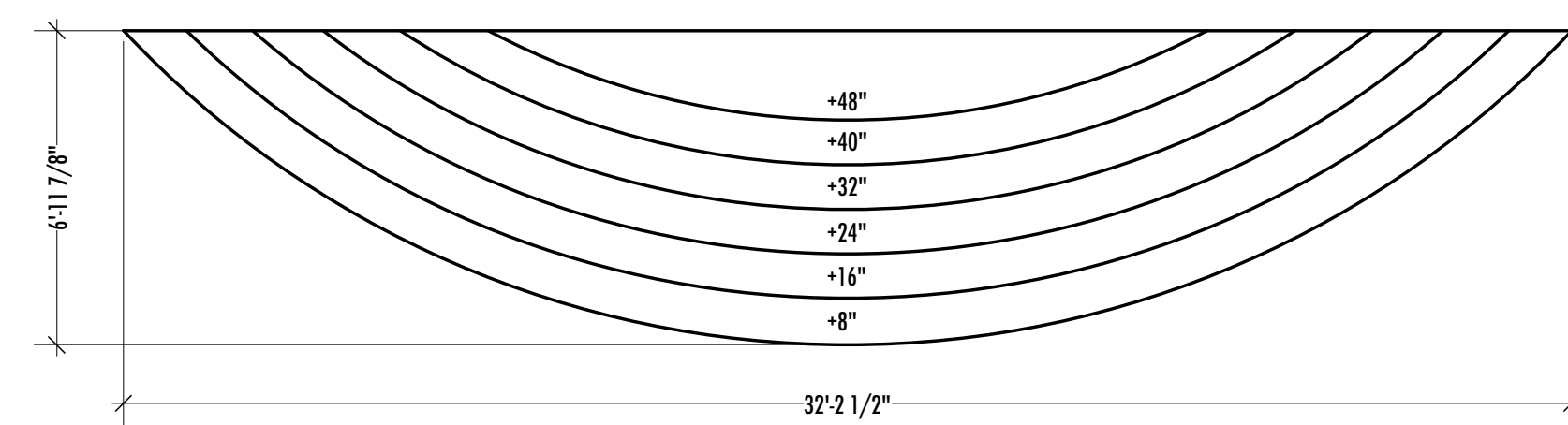


FLOORING LAYOUT-PLAN VIEW
Scale: 1/4" = 1'-0"

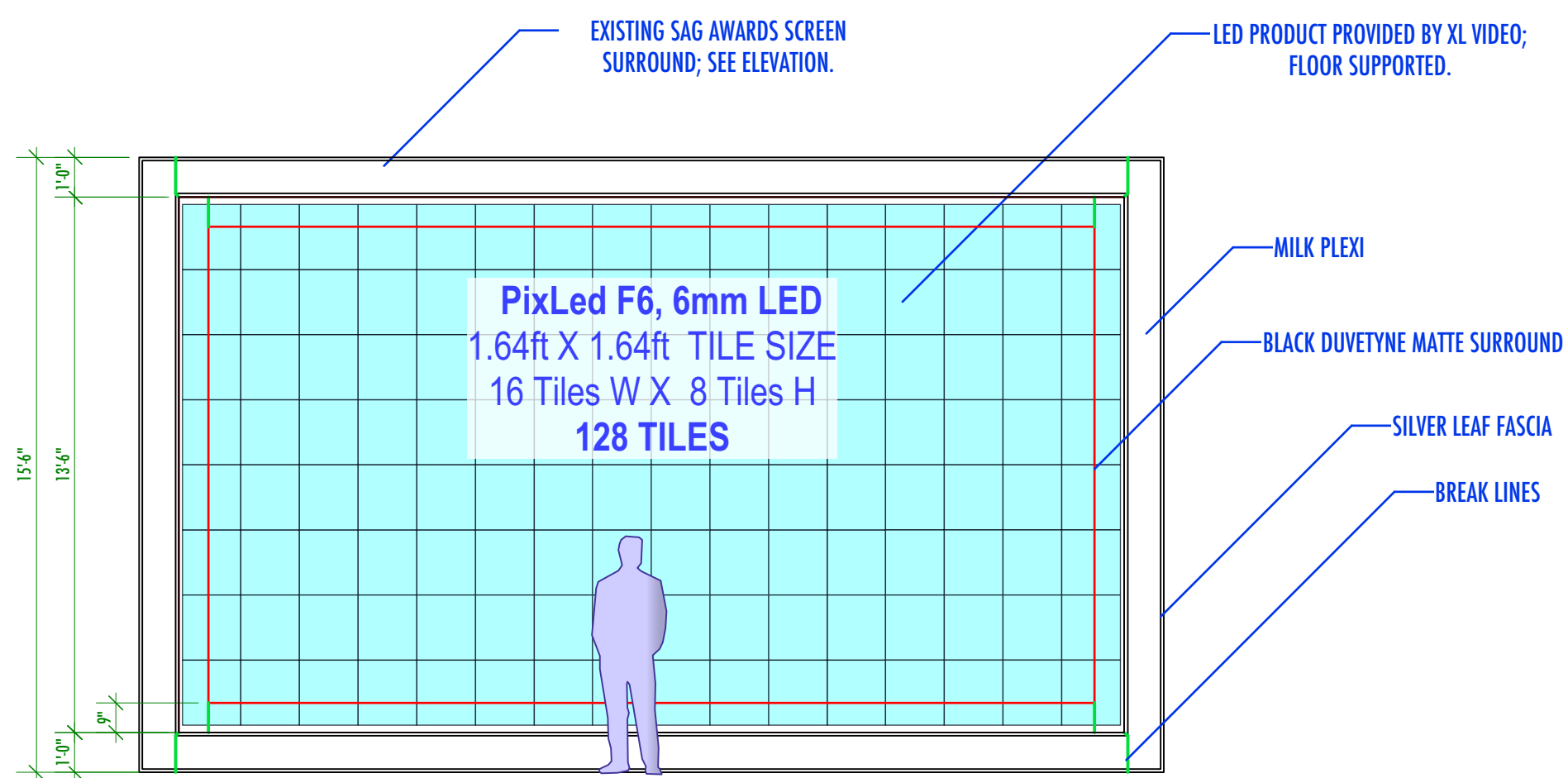




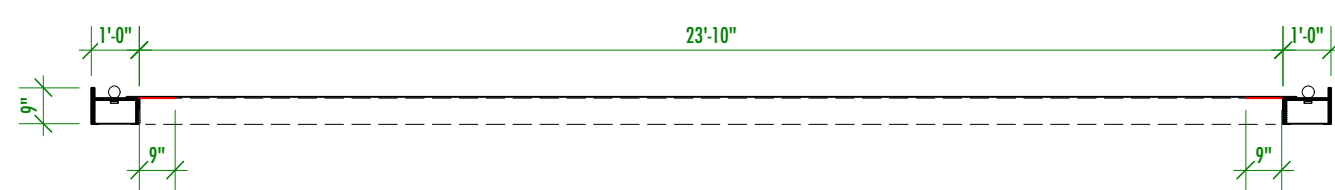
"EXISTING STAIR UNIT"-FRONT ELEVATION
Scale: 1/4" = 1'-0"



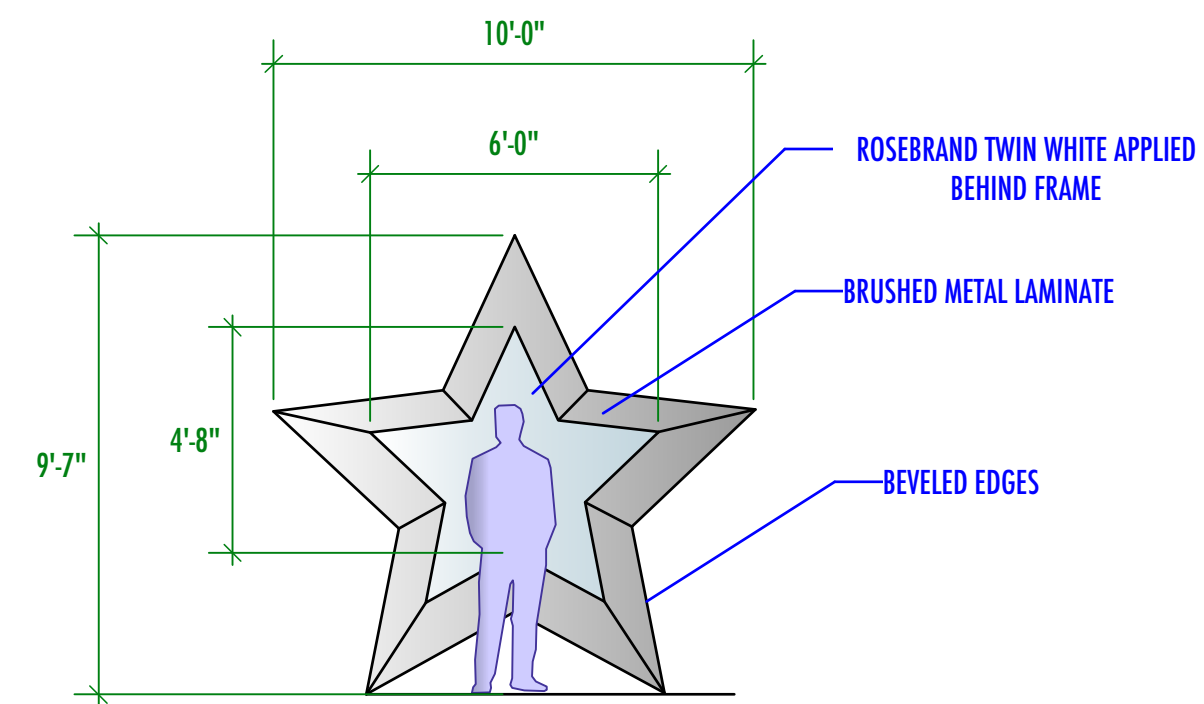
"EXISTING STAIR UNIT"-PLAN
Scale: 1/4" = 1'-0"



"EXISTING SAG AWARD SCREEN SURROUND"-FRONT ELEVATION
Scale: 1/4" = 1'-0"

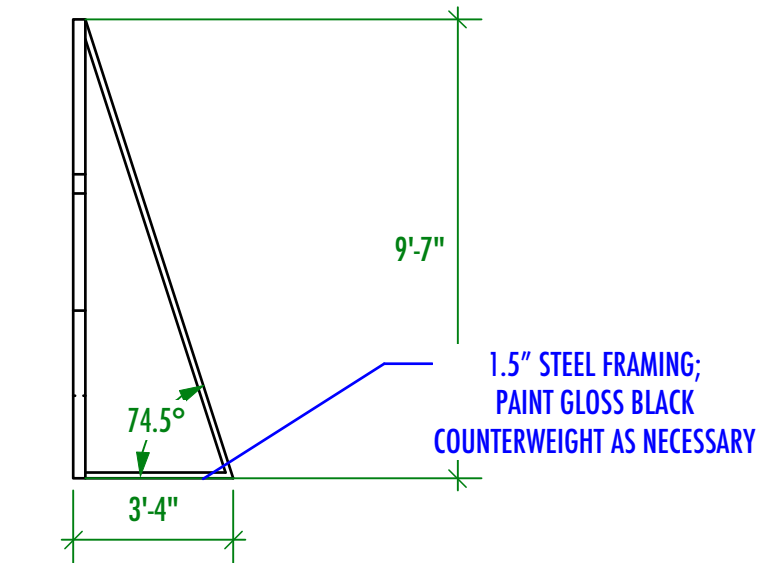


"EXISTING SAG AWARD SCREEN SURROUND"-PLAN VIEW
Scale: 1/4" = 1'-0"

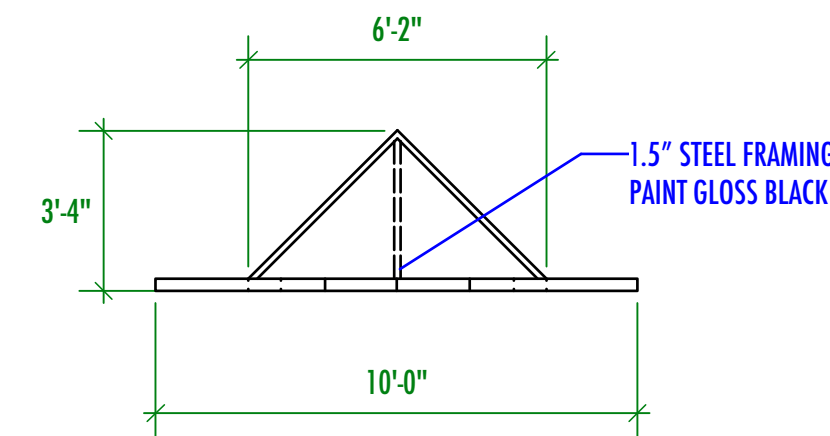


BUILD X (2)

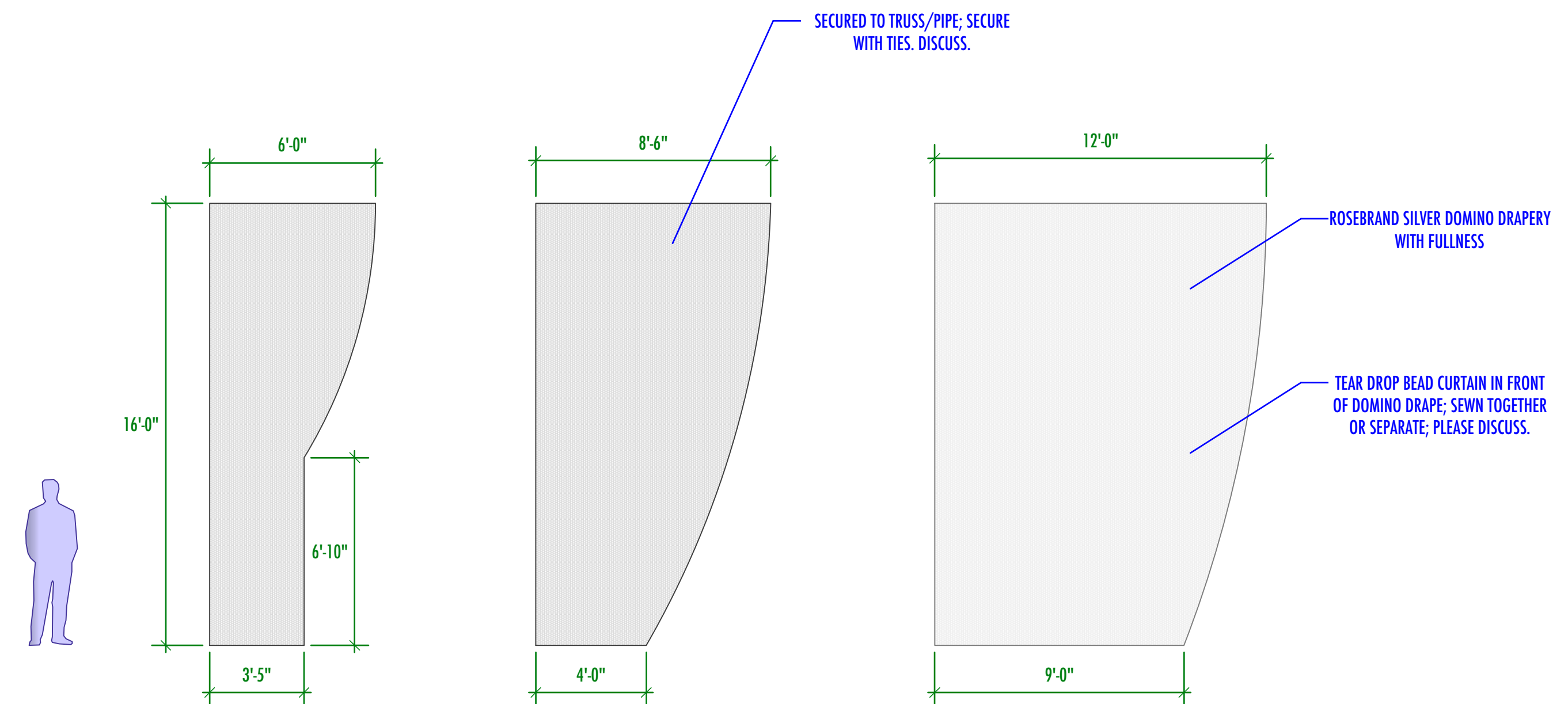
"HOST BACKING"-FRONT ELEVATION
Scale: 1/4" = 1'-0"



"HOST BACKING"-SIDE VIEW
Scale: 1/4" = 1'-0"



"HOST BACKING"-PLAN VIEW
Scale: 1/4" = 1'-0"



"DRAPERIES"-FRONT ELEVATION
Scale: 1/4" = 1'-0"

RINSE & REPEAT

