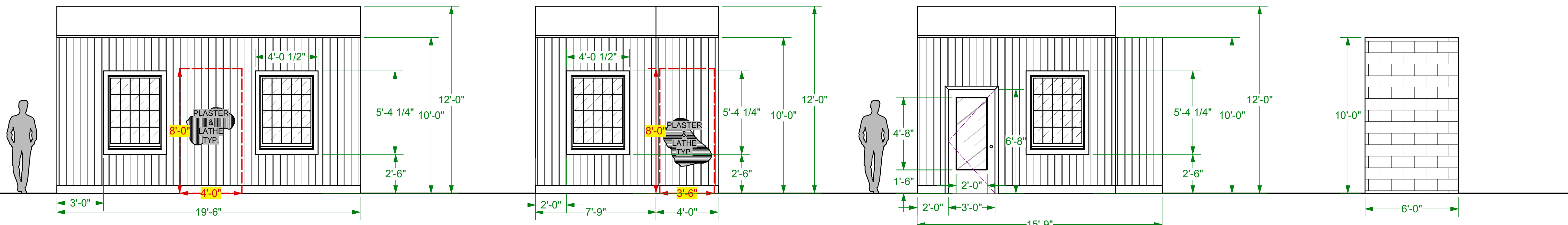
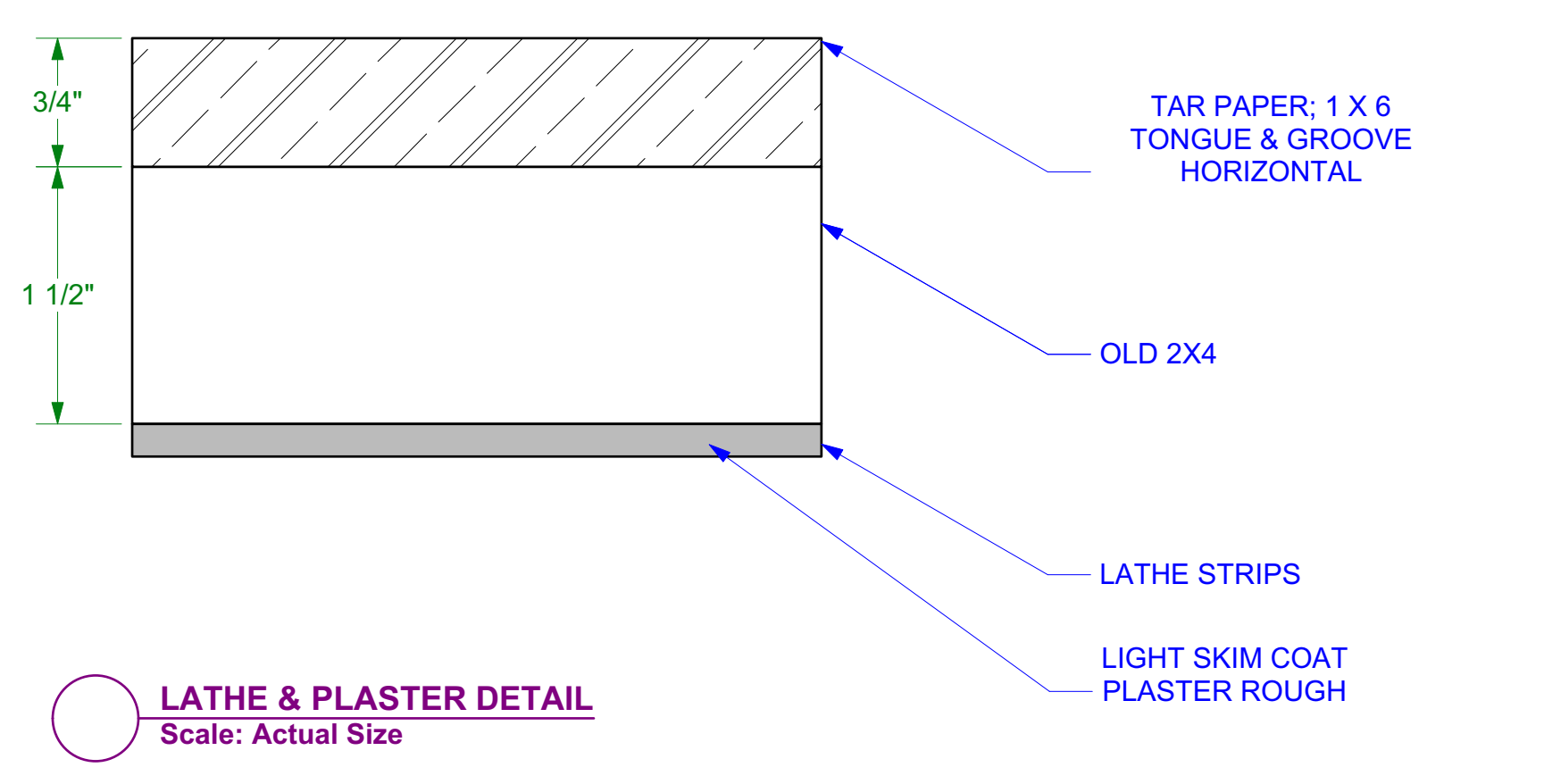


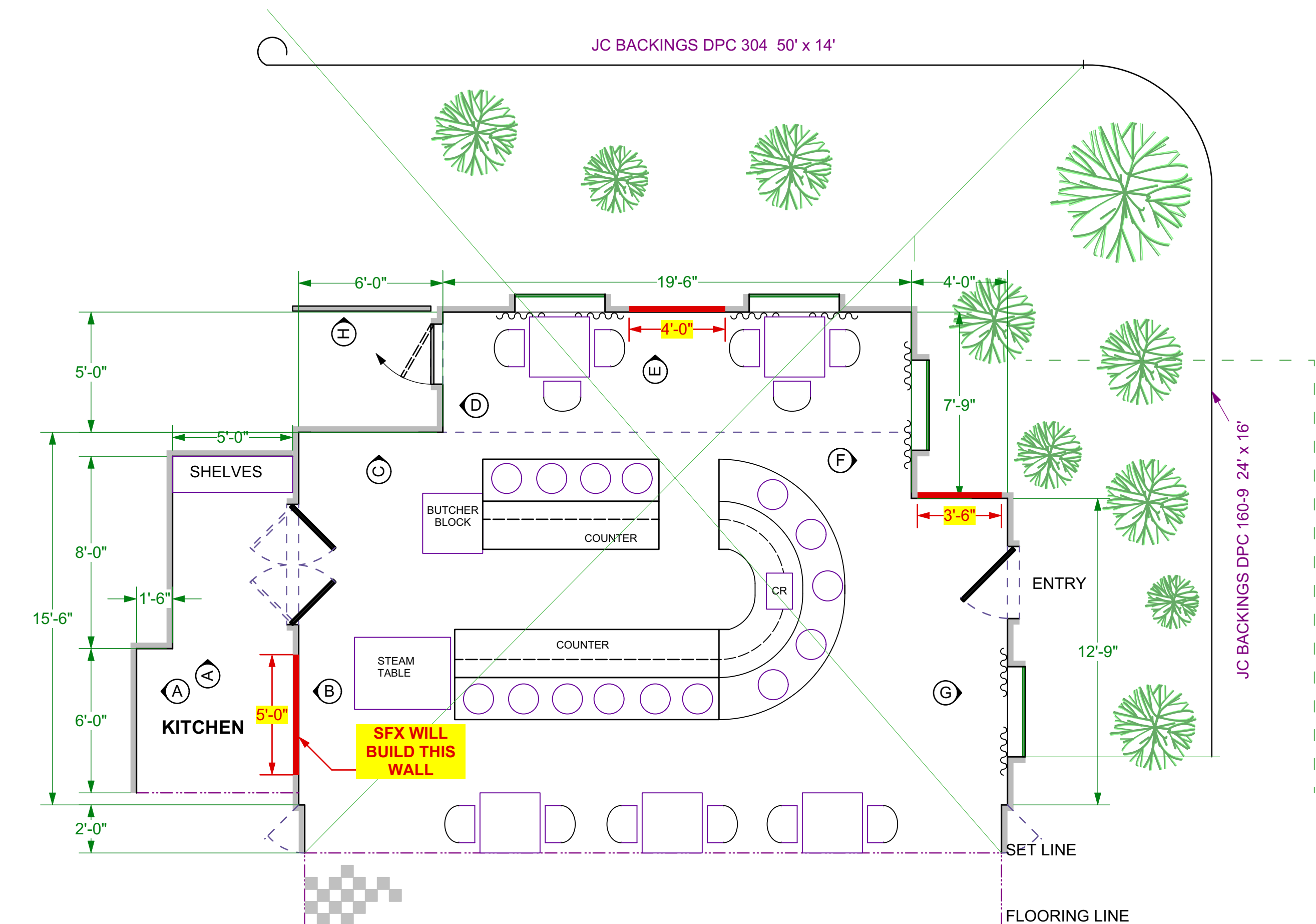
"WALL A"-FRONT ELEVATION Scale: 1/4" = 1'-0"
 "WALL B"-FRONT ELEVATION Scale: 1/4" = 1'-0"
 "WALL B"-FRONT ELEVATION Scale: 1/4" = 1'-0" POST DEMOLITION WALL B
 "PIZZA OVEN"-SECTION Scale: 1/4" = 1'-0"
 "WALL C"-FRONT ELEVATION Scale: 1/4" = 1'-0"
 "WALL D"-FRONT ELEVATION Scale: 1/4" = 1'-0"



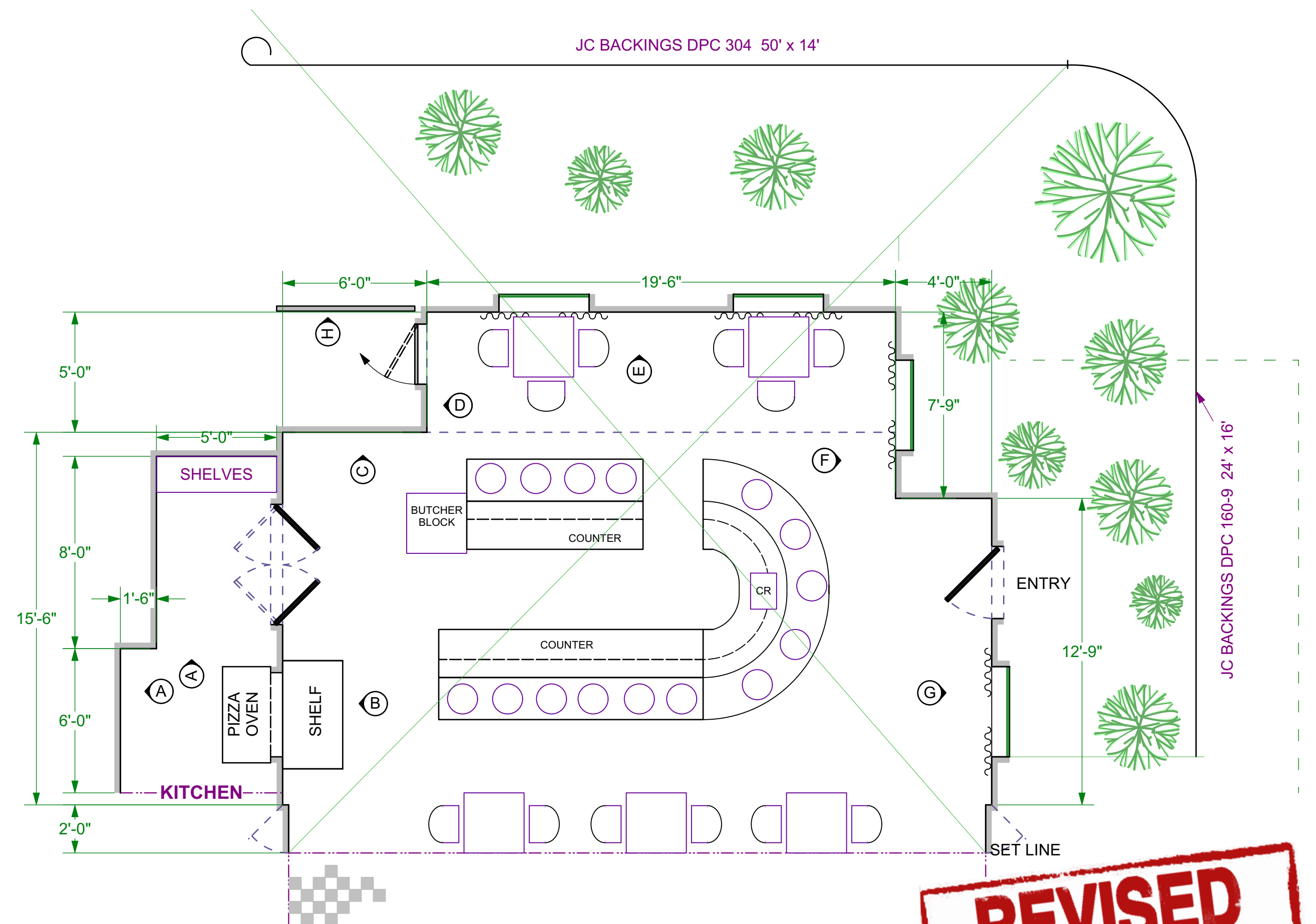
"WALL E"-FRONT ELEVATION Scale: 1/4" = 1'-0"
 "WALL F"-FRONT ELEVATION Scale: 1/4" = 1'-0"
 "WALL G"-FRONT ELEVATION Scale: 1/4" = 1'-0"
 "WALL H"-FRONT ELEVATION Scale: 1/4" = 1'-0"



LATHE & PLASTER DETAIL Scale: Actual Size



INT. LUNCHBOX-DEMOLITION VERSION



INT. LUNCHBOX-POST DEMOLITION VERS.

REVISED

The CONNERS		DRAWING DISTRIBUTION	
Const. Coordinator	DAN P.	Const. Foreman	KELLY L.
Const. Grip Foreman		Set Decorator	ANNE A.
Paint	Michael Leblovic	Dir. Of Photography	DON M.
Drawn	10.01.19	Shots	
Production Designer	John Shafner	Stage	26
Asst. Art Director	JERRY DUNN	Scale	1/4"=1'-0"
Phone #	323.650.8930	Sheet #	1 Of 1
Office	310.600.8423		